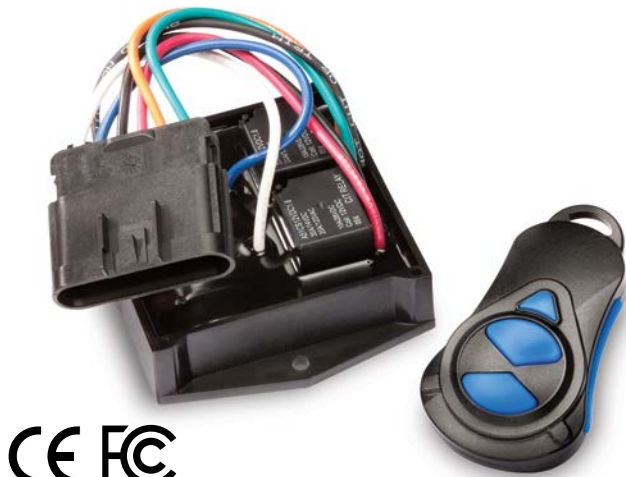


Wireless Actuator Control



Warner Linear's wireless actuator control can be used to remotely control a 12 or 24VDC actuator up to 100 ft. away. It can be used with our standard line of P1 end limit controls. The unit is offered in a single and dual actuator output for the 12VDC unit. The 24VDC unit is only available with two actuator outputs. All models have a manual override feature to operate the actuator without a remote. The wireless system is an RF design operating at 915MHz.

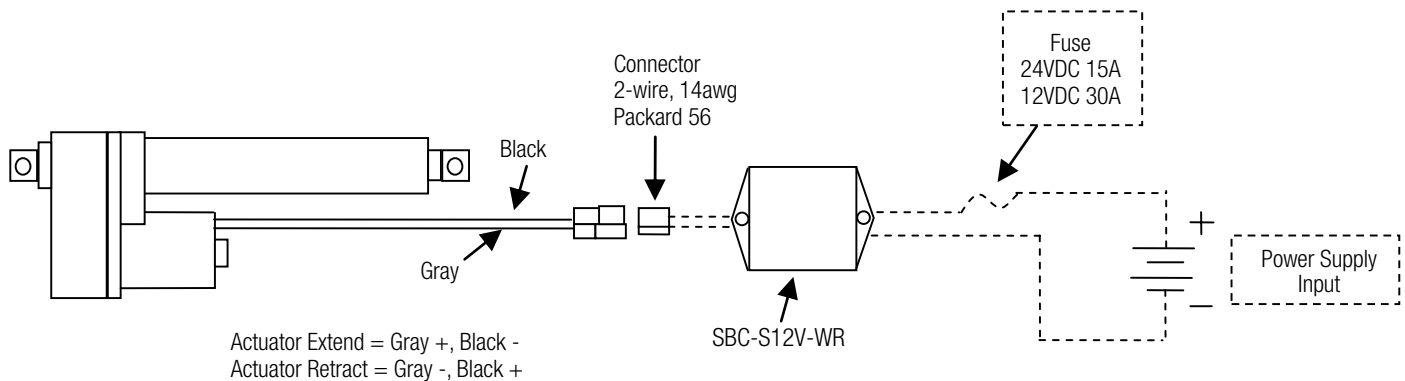
One remote is provided with the receiver unit, but the receiver can have up to four remotes programmed to work with it.

Specifications	
Power:	12/24 VDC
Maximum Current:	20 Amps single, 10 Amps dual
Operating Temperature:	-20° F to +150° F (-28° C to 66° C)
Operating Frequency:	915 MHz
Enclosure:	IP67
Replaceable Remote Battery:	CR2032, life expectancy dependent on use, but should last approx. 2 years

Models Available	
SBC-S12V-WR:	20 Amp, Single Output
SBC-D12V-WR:	10 Amp, Dual Output
SBC-D24V-WR:	10 Amp, Dual Output

Specifications	
Dual Output:	SBC-DWT
Remote Lanyard:	059-0200-50
Remote Holder w/ Clip:	SBC-HDR
Connector:	Delphi 135 21467 for single output Tyco 350735-1 for dual output

Typical Wiring



All dashed lines are customer supplied connections