

EP1.x Electronic Stroke Limit Control

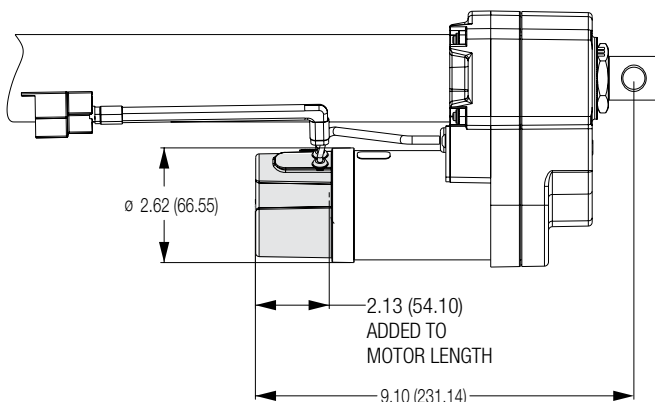


The EP1.x Limit Switch control provides end of travel positioning through the use of a magnetic switch and motor mounted relay.

The EP1 limit switches are mounted in a channel on the actuator cover tube accessible below a durable cover. (For factory set limit switches see P1.0 designs). The EP1 switches are field adjustable.

The Electronic Stroke control package consists of the magnetic sensors and a motor mounted relay within an enclosure suited for harsh environments.

A Zener diode suppression is used on both input and outputs for added protection from electrical spikes. Unit reversing is achieved by reversing input power polarity to the motor.



Specifications

Power:	25 Amps max. @ 12 volts 12.5 Amps max. @ 24 volts
Operating Temperature:	-20° F to +150° F (-29° C to 66° C)

Options

EP1.0	Standard Stroke Limit Control
EP1.1	Same as P1.0 with two LEDs on the outside of the control module. LEDs indicate when end of travel has been reached.
EP1.2	Same as P1.0 with two 12/24 volt, 0.5 Amps outputs that can be used to signal an external switch, relay, lamp or PLC input.
EP1.2LE	Two +5 VDC 25ma outputs plus a ground to provide a signal when end of travel is reached. This output can be used to power LEDs.
EP1.4	Same as P1.0, end limit stopping with 0-10K ohm potentiometer output.
EP1.5	End limit stopping with end limit outputs and 0-10K potentiometer outputs.



Scan to watch!

How to Adjust the Limit Switches for a K2 or K2X Actuator with External or EP Limit Switches
<https://p.widencdn.net/imzc9v>

